



Topaz 12

Exploded Parts Diagram

Topaz 12C Topaz 12CX



Kingsnorth Technology Park
Wotton Road
Ashford
Kent
TN23 6LN
Telephone: +44 (0)1233 629186
Fax: +44 (0)1233 645897

www.toppersailboats.com





Summary

Trolleys, Trailers & Accessories	3
Hulls	4
Trampoline	5
Front Beam	6
Rear Beam	7
Rudder	7, 8 & 9

Rig

Mast	10 & 11
Lines	12 & 13
Ropes, Blocks & Rivets	14



This manual contains part numbers and names for the Topaz 12C

It is recommended to replace broken or worn parts as soon as possible

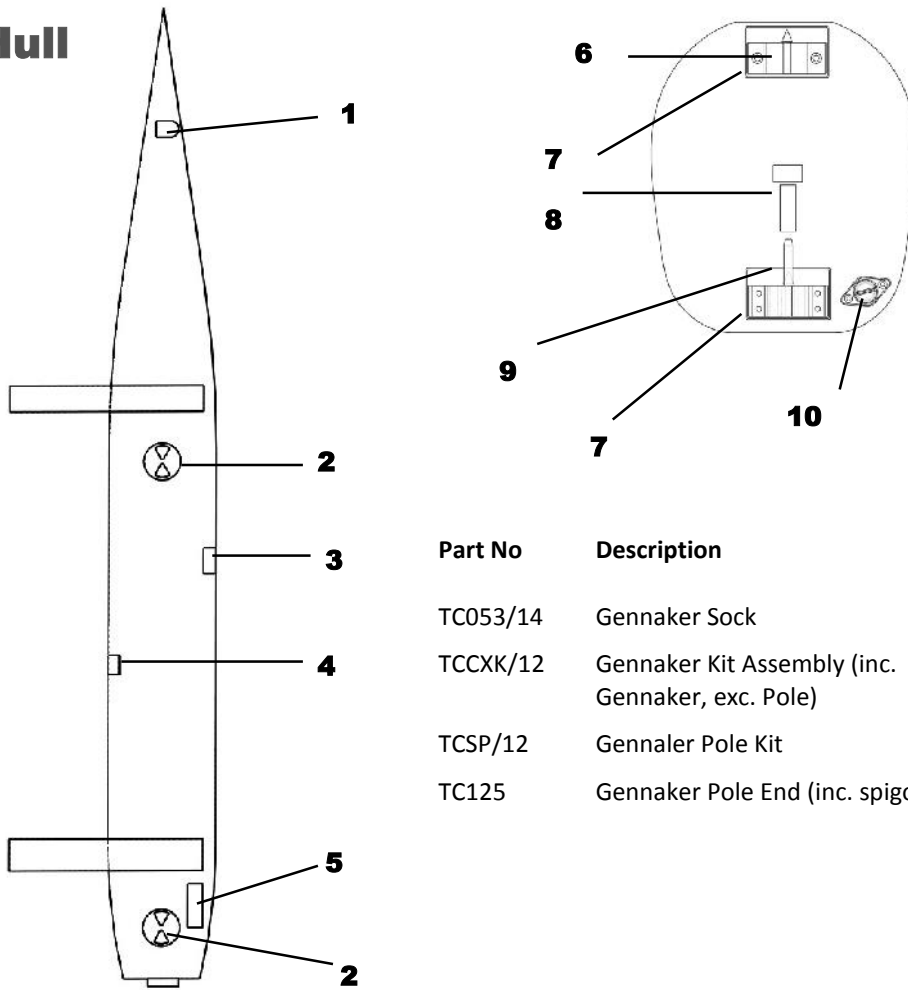
Accessories

Part No	Description
TC170/12	Top Cover
W11	Burgee
B089	Burgee Clip

Road Base & Launching

Part No	Description
TC176/12	Cat Launching Trolley with "V" cups
W3/200	8" Trolley wheel for TC176/12
TC176	Light Weight Aluminium Launching Trolley
W4/5	Trolley Wheel for TC176
TW088	Trailer Straps

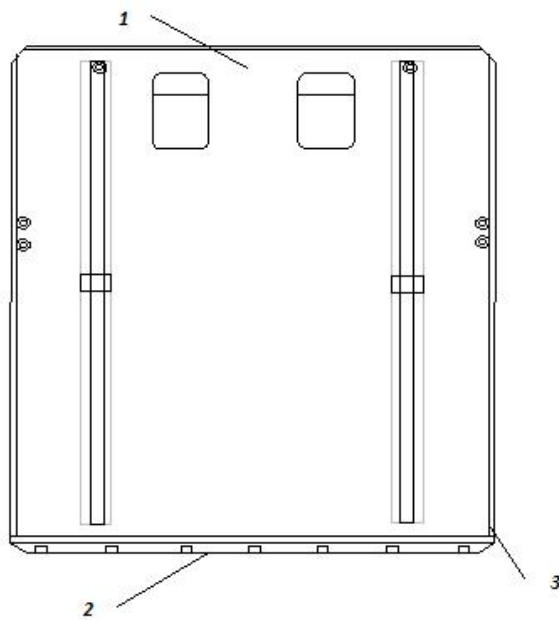
Hull



Part No	Description
TC053/14	Gennaker Sock
TCCXK/12	Gennaker Kit Assembly (inc. Gennaker, exc. Pole)
TCSP/12	Gennaker Pole Kit
TC125	Gennaker Pole End (inc. spigott)

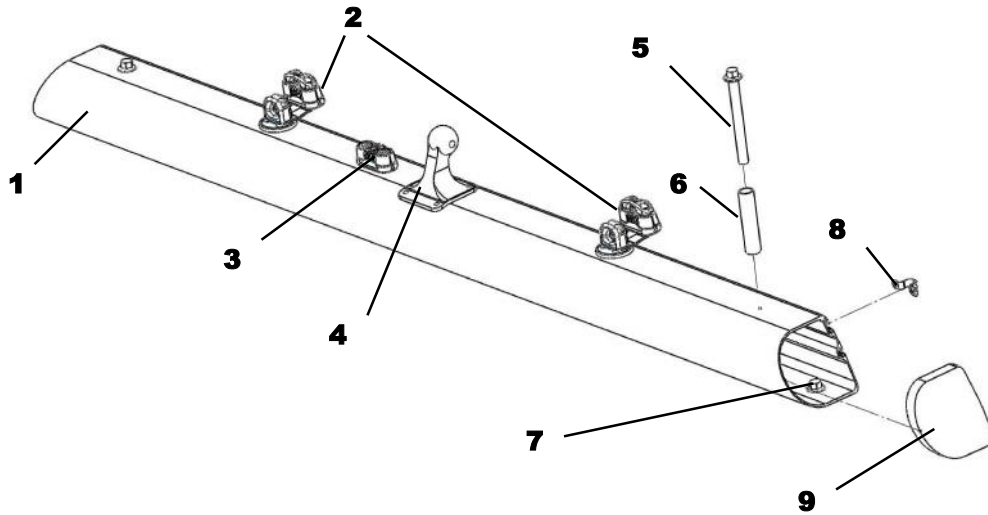
	Description	Part Number
1	Bow Deck Eye	TC122
2	Hatch Cover	P622
3	Shroud Plate	TC244
4	Trampoline Deck Eye	TM006
5	Footstrap/ Handle	P624
6	Gudgeon	TC116
7	Packer	TM035
8	Retaining Clip	C066
9	Pintle	TC193/14
10	Drain Plug	B10/1

Trampoline



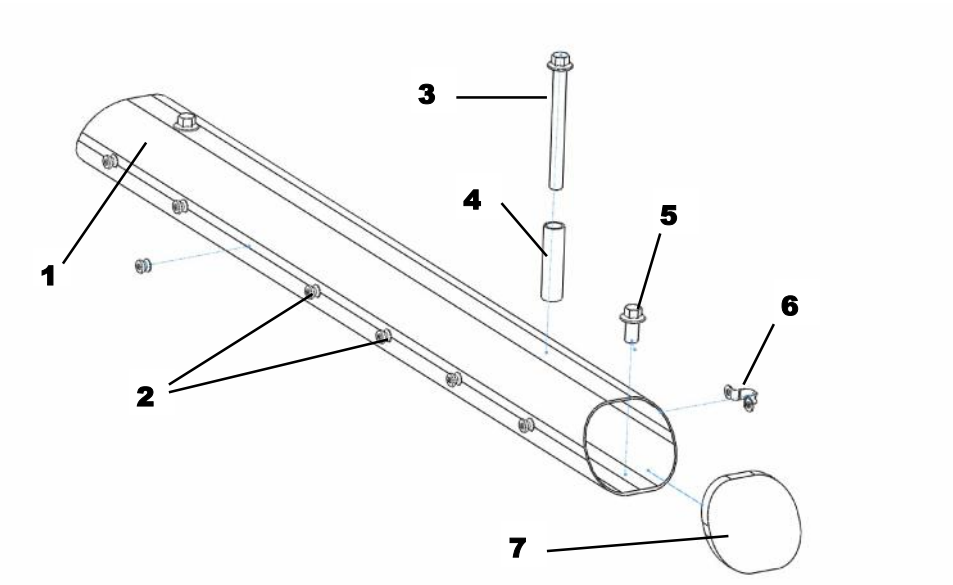
	Description	Part No
1	Trampoline	TC002/12
2	Glass Rod	TC184
3	Side Tension Rope c/w pulley	TC206

Front Beam



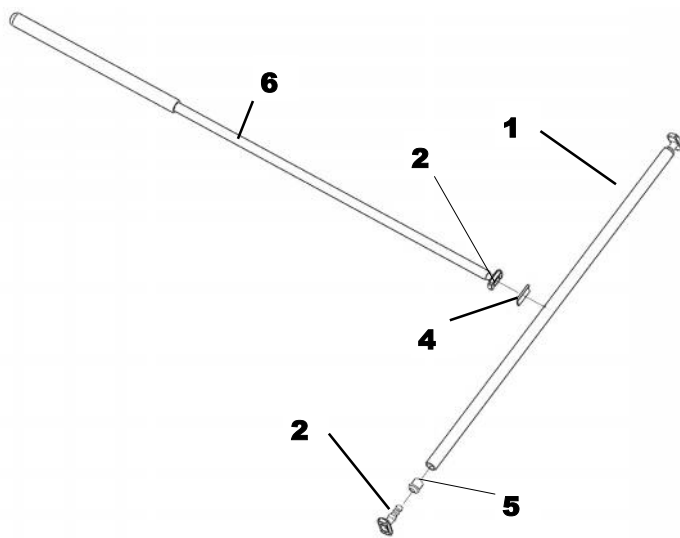
	Description	Part Number
1	Front Cross beam *	TC302/12A
2	Jib Cleat	TC254
3	Gennaker Halyard Cleat	
4	Mast Ball	TC114+SC
5	Long Bolt 130mm (post 2013) Nut Washers	TC128 TC207 TC047 s/s TC065 nylon TC217 nylon
6	Compression Tube	TC162
7	Short Bolt 60mm (post 2013) Nut Washers	TC174 TC207 TC047 s/s TC065 nylon TC217 nylon
8	Deck Eye	C10
9	End Cap - Front Beam	TC203FP
	Up to 2013	
5	Long Bolt 180mm (pre 2013)	TC293
7	Short Bolt 90mm (pre 2013)	TC273
*	Can only be ordered as a pair (front & rear cross beams)	

Rear Beam



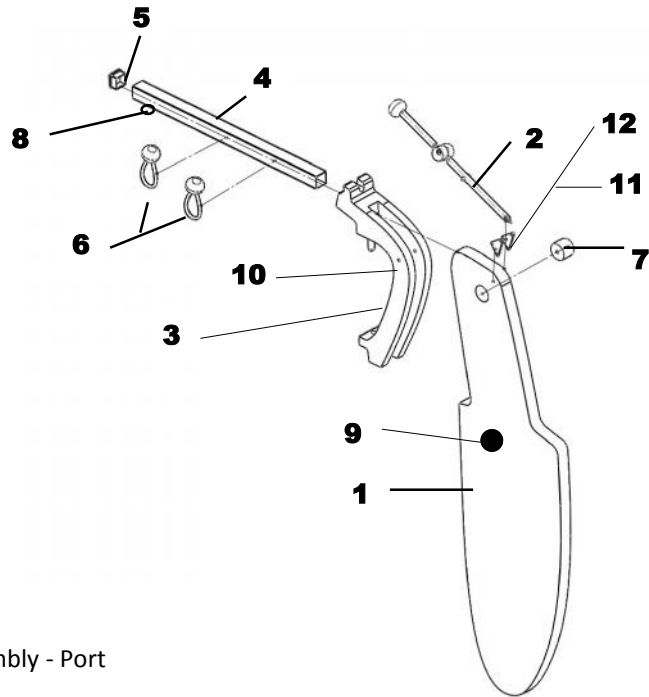
	Description	Part Number
1	Rear Cross Beam *	TC302/12A
2	Trampoline Hooks	TC161/1
3	Large Bolt	TC128
	Nut	TC207
	Washers	TC047
		TC065
		TC217
4	Rear Beam Spacer	TC162
5	Small Bolt	TC273
	Nut	TC207
	Washers	TC047
		TC065
		TC217
6	Deck Eye	C10
7	Rear Beam Cap	TC247
*	Can only be ordered as a pair (front & rear cross beams)	

Rudder Connector & Tiller



	Description	Part No
1	Connector Bar inc fittings	TC305/12K
2	Universal Connecting Joint	TC031
3	Saddle Connector for TC031	TC018
4	Tiller Extension	TC256
5	Moulding (pair)	TC154

Rudder Assembly

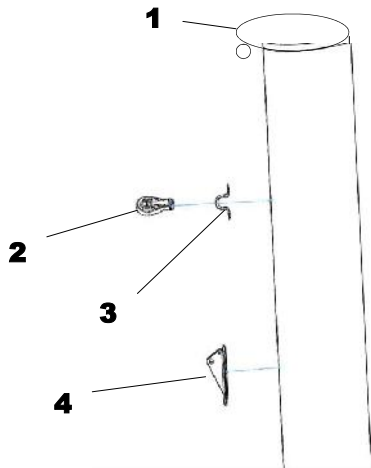


Part No	Description
TC188/12L	Rudder & Tiller Assembly - Port
TC188/12R	Rudder & Tiller Assembly - Starboard
TC291/12L	Rudder Stock & Tiller Assembly - Port
TC291/12R	Rudder Stock & Tiller Assembly - Starboard

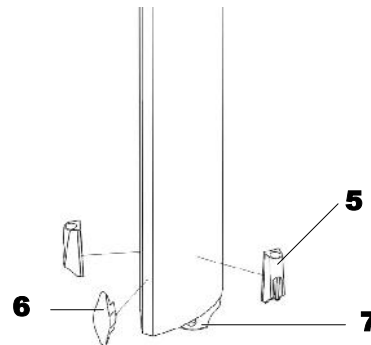
	Description	Part No
1	Rudder Blade	TC115/12
2	Rudder Lever Assembly	TC121
3	Rudder Stock	TC009/12
4	Top Stock	TC130/12
5	Insert	TC126
6	Rudder Retention Strap	TC144 & TC061 (assy)
7	Spacer	TC151
8	Saddle Connector	TC018
9	Black Disk Sticker	TC272
10	Rudder Fixings	H6, H8, H15
11	Link Plates	TC294/14, TC295/14
12	Link Plate Fixings	TC296 x3 Screw TC297 x3 Nut

Mast pre March 2013

Top Mast



Bottom Mast

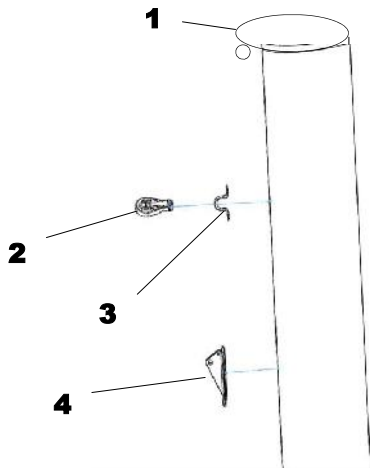


	Description	Part No
1	Masthead inc sheave wheel	TC240
2	Spinnaker Halyard Block	TP103A
3	Deck eye	
4	Hound Fitting	TC241
5	Camcleat—mainhalyard	TC243
6	Horncleat—jib halyard	TC251
7	Mast heel	TC239

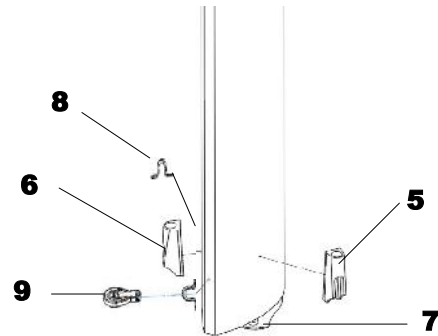
Part No	Description
TC050/12D/WO	12C/12CX Dacron Mainsail
TC052/12D/WO	12C/12CX Dacron Jib
TC051/12/B	12CX Gennaker
ST9	Sail Numbers (set of 10)

Mast post March 2013

Top Mast

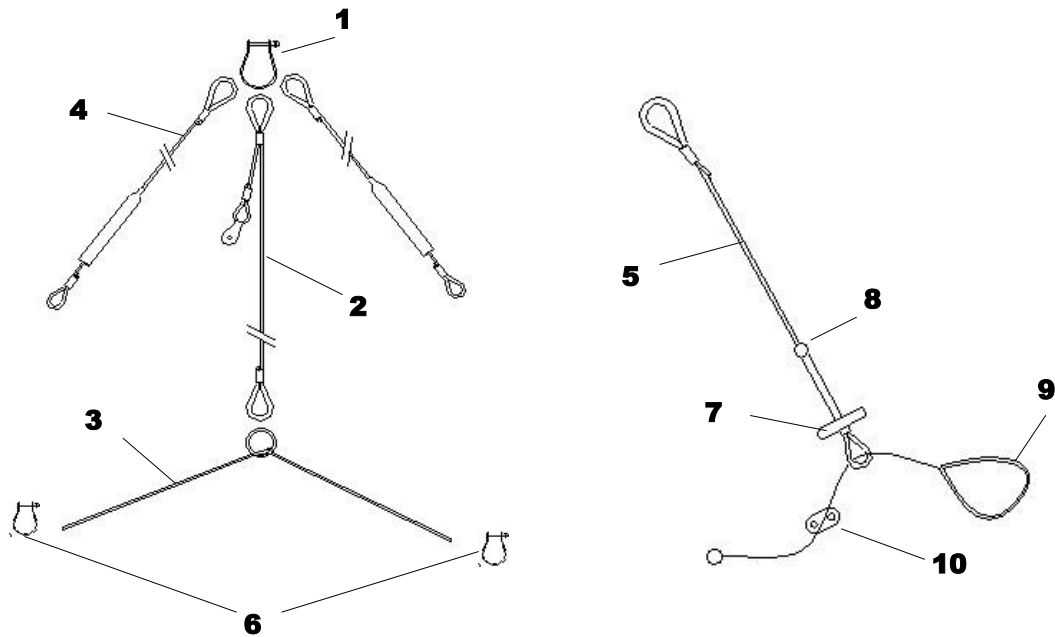


Bottom Mast



	Description	Part No
	Mast	TC100/12/1
1	Masthead inc sheave wheel	TC240
2	Spinnaker Halyard Block	TP103A
3	Metal P-Clip	TP141
4	Hound Fitting	TC241
5	Camcleat—main halyard	TC243
6	Camcleat—jib halyard	TC250
7	Mast heel	TC239
8	Deck Eye	TM006
9	Main Halyard Block	TP103A

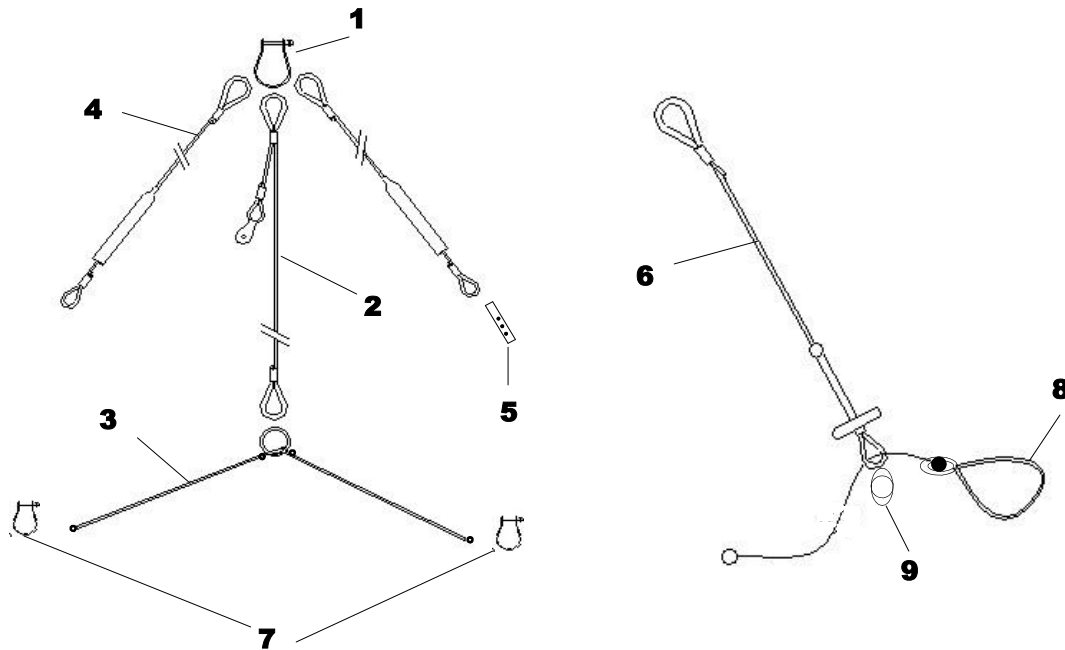
Wires for boats manufactured up to March 2013



	Description	Part No
1	Bow Shackle	TC196
2	Forestay	TC274/12
3	Bridle Rope	TC276/12
4	Shrouds	TC269/12
5	Trapeze Wire	TC038/12
6	Small Bow Shackle	TC190
7	Trapeze Handle	TC011
8	Rope stopper	K13
9	PVC tubing for trapeze (30cm)	K66
10	Rope Lock	TC001/1

Part No	Description
TC057	Top Furler
TC058	Bottom Furler

Wires for boats manufactured post March 2013



	Description	Part No
	Wire Rigging Set	TC024
	Trapeze Kit Complete	TC038/12
1	Bow Shackle	TC196
2	Forestay	TC274/12
3	Bridle Wire	TC276/5
4	Shrouds	TC269/12
5	Shroud Adjuster	TC084
6	Trapeze Wire (inc cleat & handle)	TC038/12
7	Small Bow Shackle	TC190
8	Trapeze Hook	TC208
9	Cam Cleat	TC209

Part No	Description
TC100/12	Mast—Unrigged
	Trapeze Kit
	Furler Kit
TC057	Top Furler
TC058	Bottom Furler

Ropes, Blocks & Rivets

Part No	Description
TC275/12P	Rope Set (excluding blocks)
K30	Mainsheet Rope (8.2 meters)
TC182	Jib Sheet Rope (6 meters)
TC182	Gennaker Sheet Rope (11 meters)
TC248	Gennaker Sheet Block
TC136 & TC137	Ratchet Block & Double Block to make Mainsheet Lower Blocks
TC138	Upper Mainsheet Block
TC144	Rope Stopper
D17	Rivets for Mast (each)
TC164	Rivet End Cap (each)